



LAT Software Schedule



Key FSW Milestone Dates

– PAST:

- *Jan '02 / Jul '02 – Preliminary Design Review / Delta PDR*
- *May '03 – Critical Design Review*
- *Peer Reviews: EM1 (Mar '03), EM2 (Feb '04), Flight Unit (Sep '04)*
- *Sys Checkout TRR, All Test Procedures completed – Sep '05*

– PRESENT (This/Next Month):

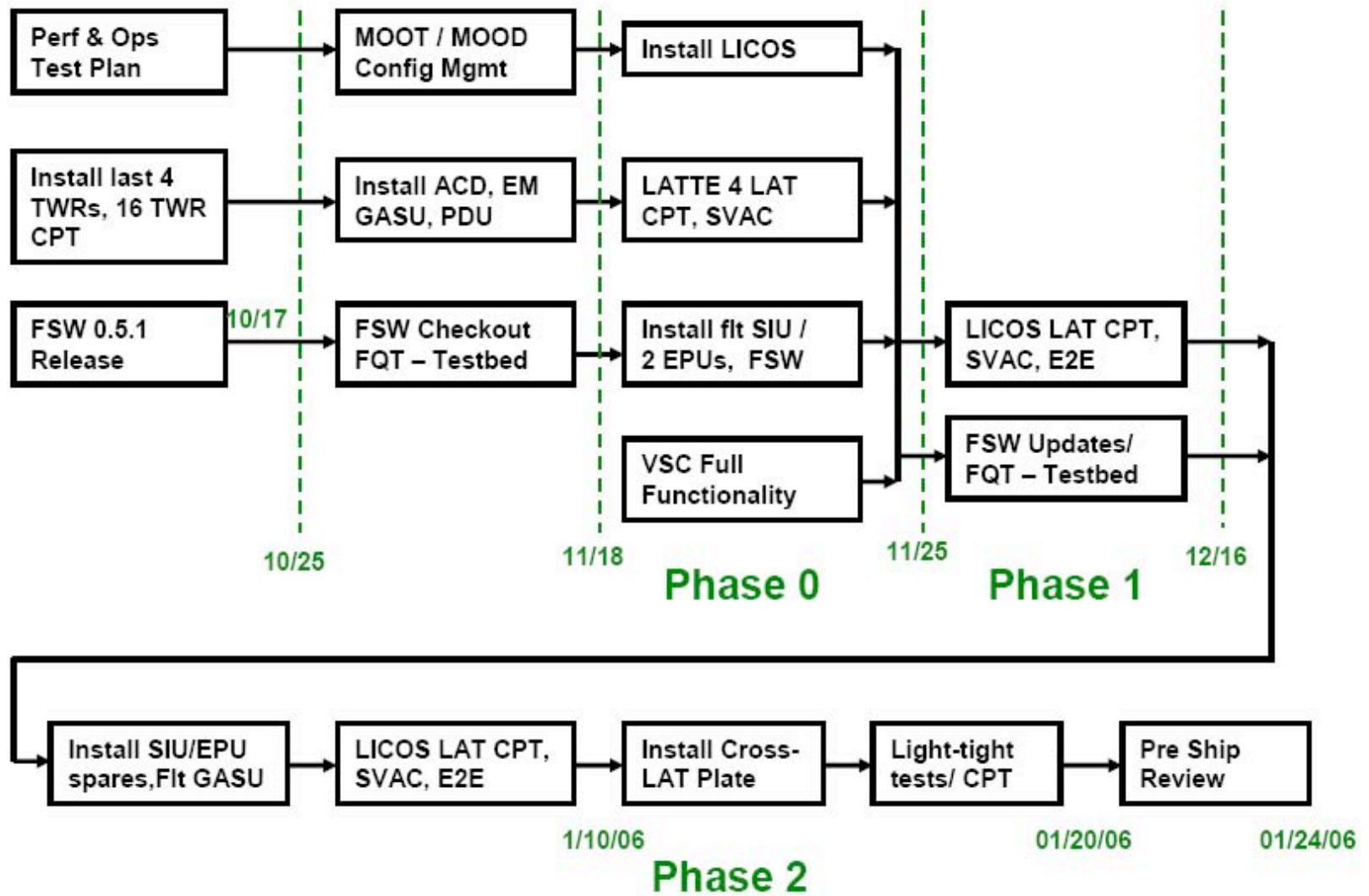
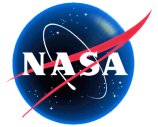
- *Build 0.5.1 – 10/24/05 - All FSW functionality minus known liens*
- *Build 0.5.2 – 11/14/05 – To FSW Test Team*
 - *Release planned for use in Phase I / System Test – To I&T on 11/23 (Happy Thanksgiving!)*
- *Build/Release 0.6.0 -12/9/05 –To FSW Test Team*
 - *12/20/05 – Release to I&T for use with System Test Phase 2 – (Merry Christmas!)*
- *Test Scripts Complete; FQT (Formal Testing): 12/14 – 12/20*

– FUTURE:

- *Support I&T needs of FSW.*
- *Additional Development for GRB Processing & Test Scripts for same.*

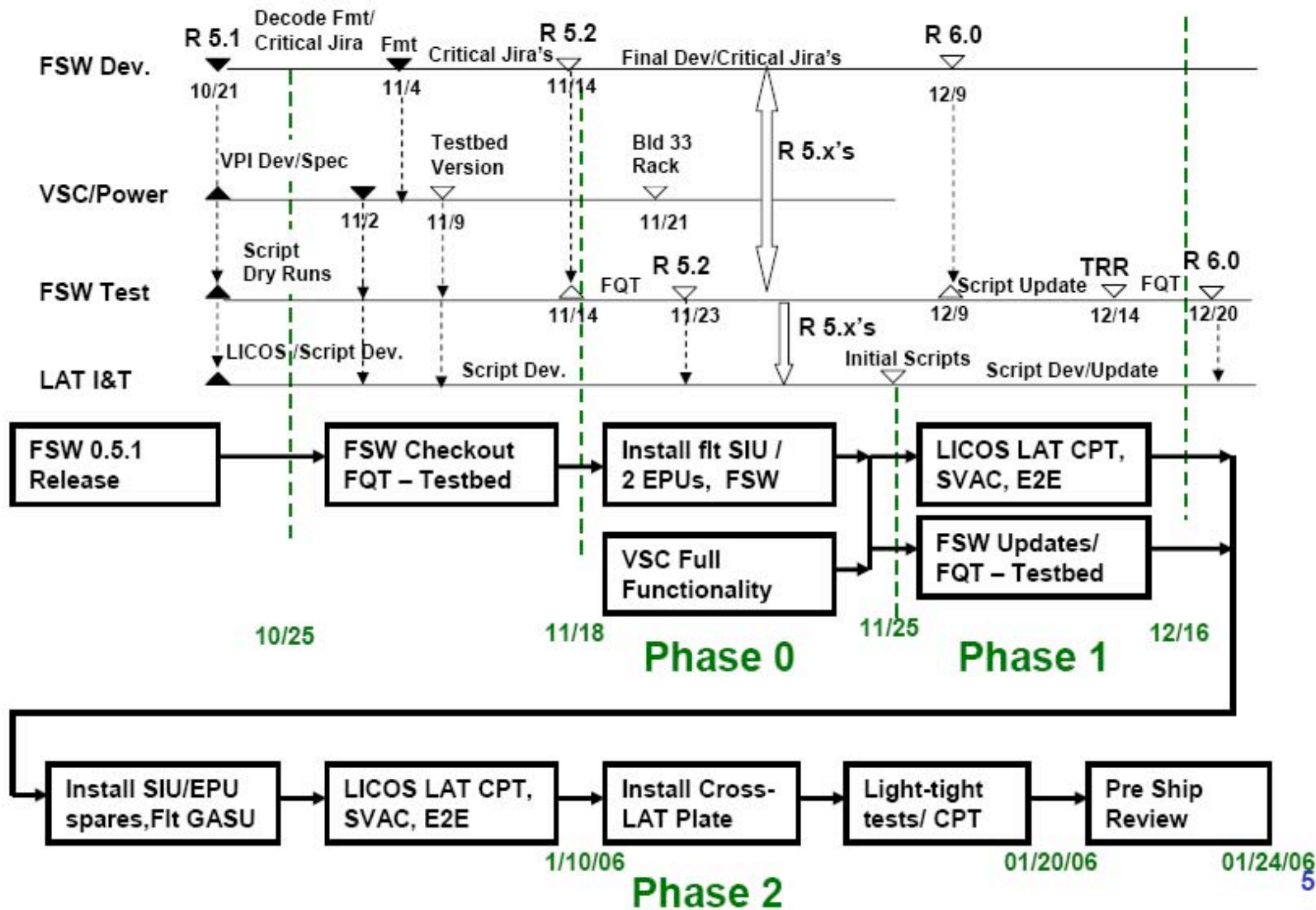
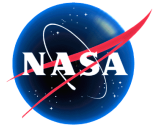


LAT System Test w/ FSW



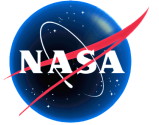


LAT SW Schedule Presented 11/3





GBM Software Schedule



Key FSW Milestone Dates

– PAST:

- April '02 – Preliminary Design Review (PDR)
- Aug '03 – Data Processing Unit and FSW Critical Design Review (CDR)
- Aug '04 – Instrument CDR
- Mar '05 – Delivery of Build 1.1 FSW- Version placed in PROM
- Aug '05 – Development of Burst Algorithms Completed

– PRESENT (This/Next Month):

- 10/15/05 – Complete SW to provide all Burst Related Telemetry Records
- 11/14/05 – Complete SW to provide all Burst Related info to LAT per ICD.
- 12/1/05 – FSW mods to resolve connector misplacement on PSB.
- 12/1/05 – Feature Freeze for Build 1.9 to be used in T-V testing in January.
- 12/15/05 – Turnover to Testing team for installation/checkout on Flight DPU

– FUTURE:

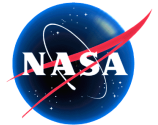
- GRB Telemetry rate management on 1553 (sharing the 1 kbps link with LAT)
- AGC Algorithm (low Priority)



GBM FSW Requirements As of 10/28

KEY:

Done
High Priority - Next
Medium Priority
Low Priority

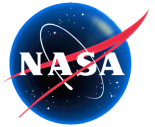


Rqmnt #	Requirement Title	"Group"	Remaining (Weeks)
91	<i>Background Model.</i>	<i>BG Model</i>	<i>n/a</i>
92	<i>Background Model Quality.</i>	<i>BG Model</i>	<i>n/a</i>
93	<i>Background Estimate.</i>	<i>BG Model</i>	<i>n/a</i>
94	<i>Background Estimate Quality.</i>	<i>BG Model</i>	<i>n/a</i>
107	<i>Coordinate Transformations.</i>	<i>Location</i>	<i>n/a</i>
xx	<i>Determining SC Side - Cmd/EEPROM</i>	<i>SC Side</i>	<i>1.0</i>
95	<i>Quick Location Algorithm.</i>	<i>Location</i>	<i>2.0</i>
96	<i>Refined Location Algorithm.</i>	<i>Location</i>	<i>"same"</i>
xx	<i>Diagnostic Telemetry Modifications</i>	<i>Diag TM</i>	<i>0.8</i>
97	<i>Spectrum and Intensity.</i>	<i>Location</i>	<i>3.0</i>
98	<i>Trigger Classification.</i>	<i>Location</i>	<i>wks for all three</i>
99	<i>Reliability Estimates.</i>	<i>Location</i>	
44	<i>TRIGDAT Format.</i>	<i>TRIGDAT</i>	<i>0.2</i>
45	<i>TRIGDAT Trigger ID.</i>	<i>TRIGDAT</i>	<i>0.2</i>
46	<i>TRIGDAT Immediate Summary Information to Ground Record.</i>	<i>TRIGDAT</i>	<i>0.2</i>
47	<i>TRIGDAT Trigger Rates to Ground Record.</i>	<i>TRIGDAT</i>	<i>0.4</i>
48	<i>TRIGDAT Calculated Information to Ground Records.</i>	<i>TRIGDAT</i>	<i>0.4</i>
49	<i>TRIGDAT Max Rates to Ground Records.</i>	<i>TRIGDAT</i>	<i>0.6</i>
51	<i>TRIGDAT Time History to Ground Records</i>	<i>TRIGDAT</i>	<i>0.8</i>

Note: All High Priority Requirements Completed



GBM FSW Requirements Remaining (10/28/05)



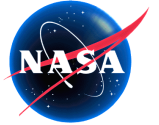
KEY:

Done
High Priority - Next
Medium Priority
Low Priority

Rqmnt #	Requirement Title	"Group"	Remaining Effort (Weeks)
52	TRIGDAT Calculated Information to LAT Record.	TRIGDAT	0.4
53	Repoint Recommendation Process.	TRIGDAT	2.0 As a group of 3
54	TRIGDAT Repoint Recommendation to LAT Record.	TRIGDAT	
54.5	Closeout Record to LAT	TRIGDAT	
55	TRIGDAT Bandwidth.	TRIGDAT	3.0
20	Trigger Enable Suspend. (a,b,c)	BG Model	0.6
100	AGC	AGC	2.0 For all AGC
101	Accumulation for AGC.	AGC	
102	AGC Accuracy.	AGC	
103	AGC Times of Operation.	AGC	
104	AGC Response to External Changes.	AGC	
105	105. AGC Data Age.	AGC	
106	106. AGC Data Quality Test.	AGC	



Spacecraft Flight Software



Key FSW Milestone Dates

– PAST:

- *Jan & May '03 – FSW Requirements Review & Preliminary Design Review*
- *April '04 – SC FSW CDR*
- *Dec '03, Summer '04, Spring '05 – Code Walk Throughs / Peer Reviews*
- *Oct '05 – Delivery of Build 3 (Release 1) for Flight Hardware testing.*

– PRESENT (This/Next Month):

- *10/21/05 – Formal Testing of Release 1; Delivery of CDRL 18 (VDD)*

– FUTURE:

- *11/05 – 2/06 – Development & implementation of POAL.*
- *1/06 – Integrate 'final' GNC FSW build from MATLAB/Simulink Model.*
- *2/06 – Test Ready Review (TRR) and Formal Qual Testing (FQT) of FSW*
- *3/06 – Delivery of Release 2 to SC I&T – FSW final planned release.*
 - *Bug fixes to R2 as necessary*
- *6/06 – First release of Software User & Maintenance Manual (CDRL 19)*